

Kumar Maths

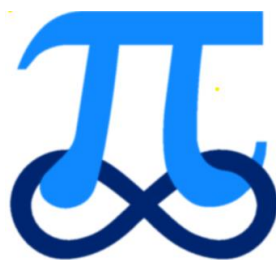
Pearson Edexcel

GCSE Maths (9 – 1)

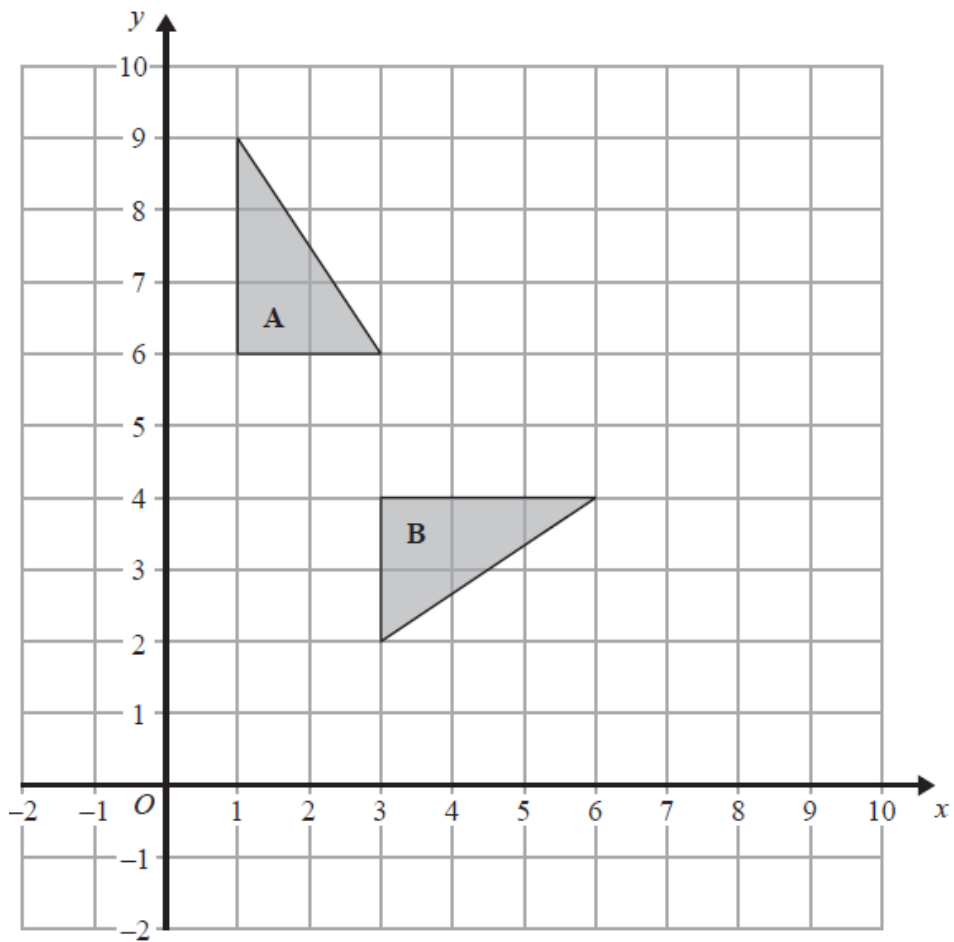
Past Exam Questions by

Topics:

Transformations 2.



1.



Describe fully the single transformation that maps triangle A onto triangle B.

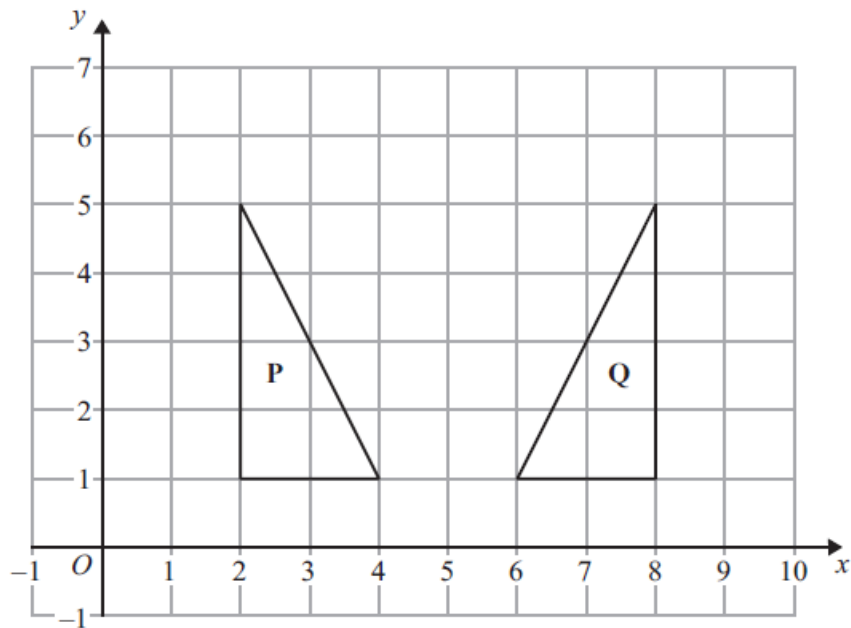
.....

.....

.....

(Total 3 marks)

2.

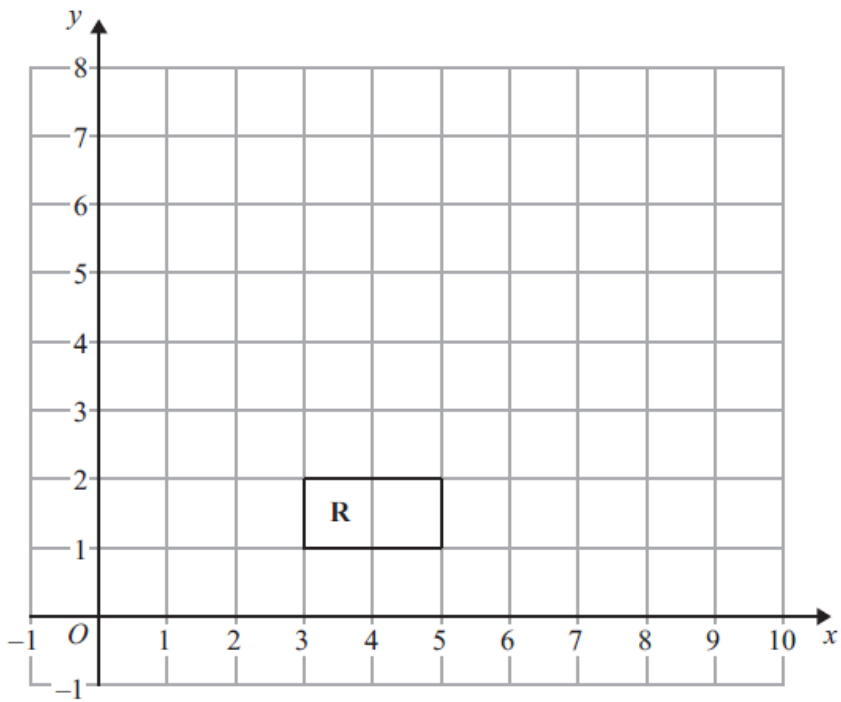


(a) Describe fully the single transformation that maps triangle **P** onto triangle **Q**.

.....

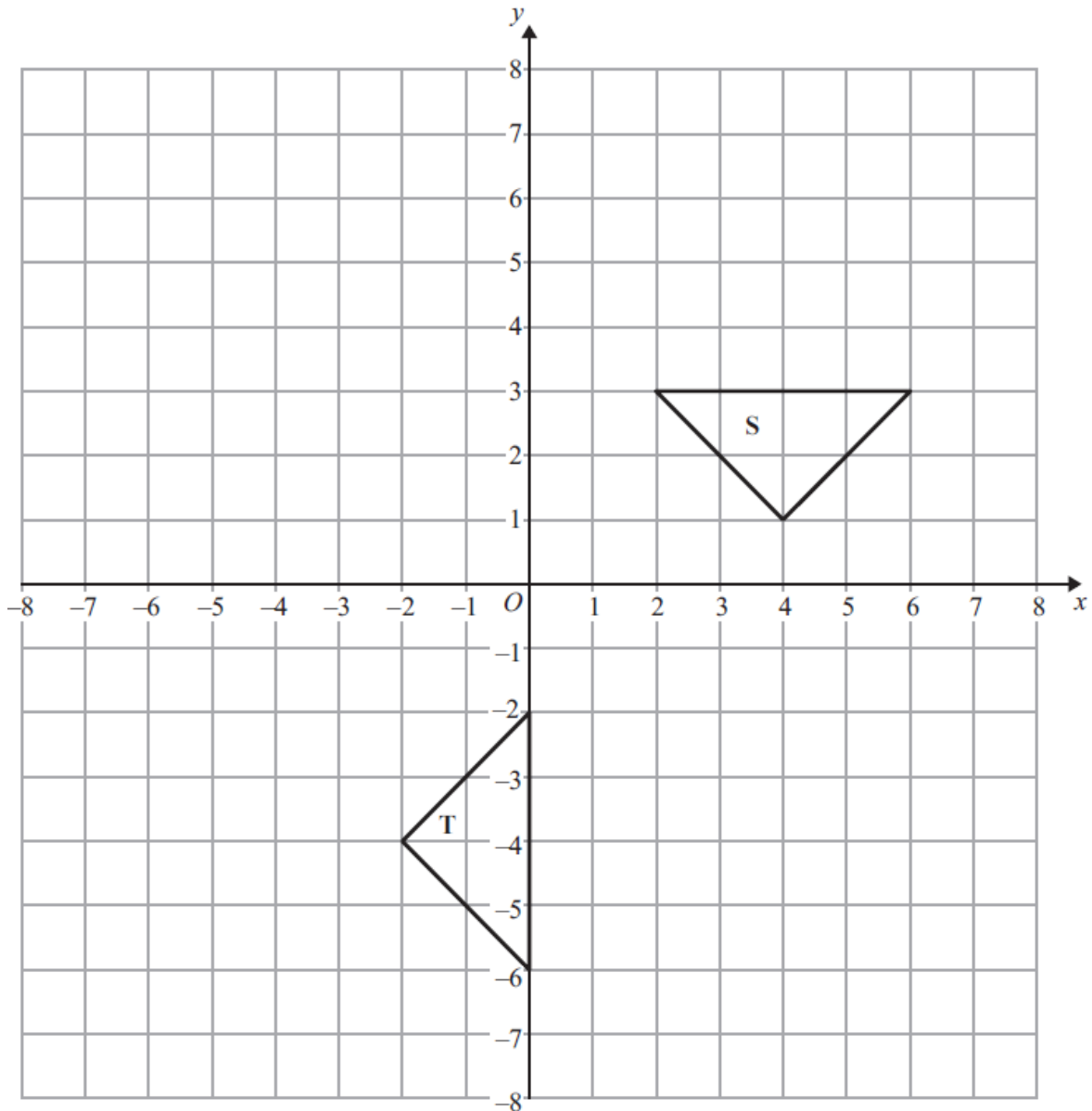
.....

(2)



(b) Enlarge rectangle **R**, with scale factor 3 and centre (4, 0).

(2)



Shape **S** can be transformed to shape **T** by the translation $\begin{pmatrix} 0 \\ -3 \end{pmatrix}$ followed by a rotation.

(c) Describe the rotation.

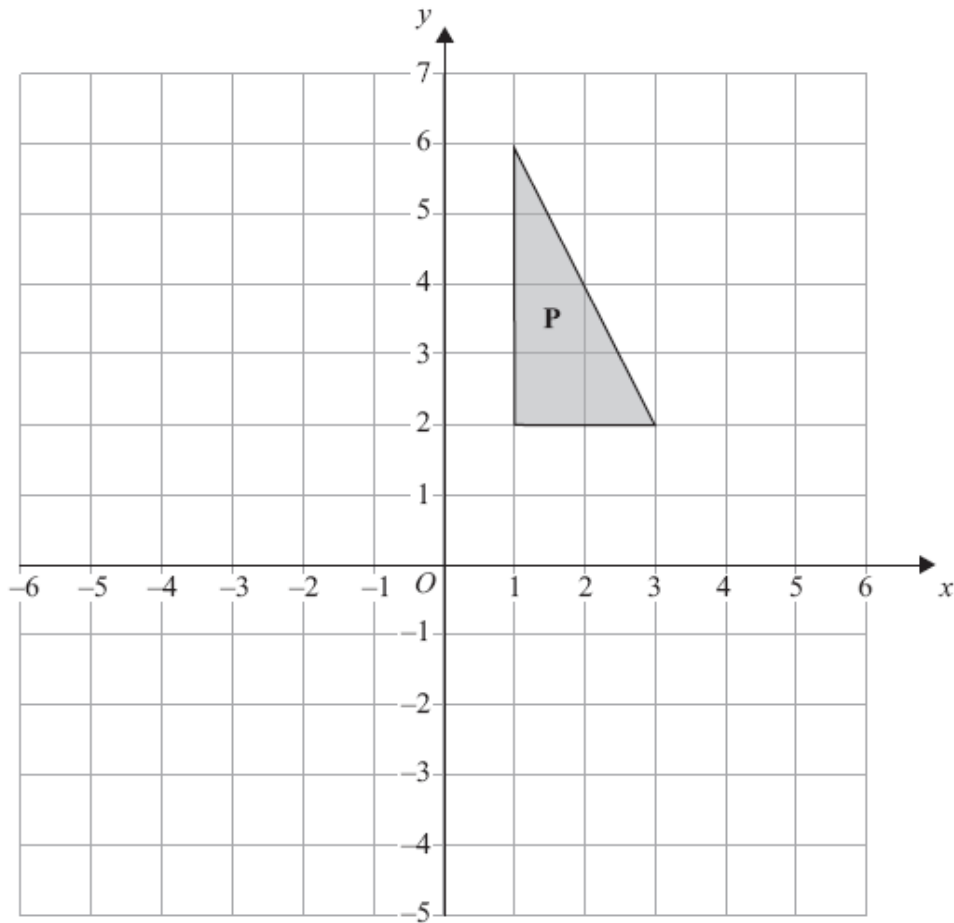
.....

.....

(3)

(Total 7 marks)

3.



Triangle **P** is drawn on a coordinate grid.

The triangle **P** is reflected in the line $x = -1$ and then reflected in the line $y = 1$ to give triangle **Q**.

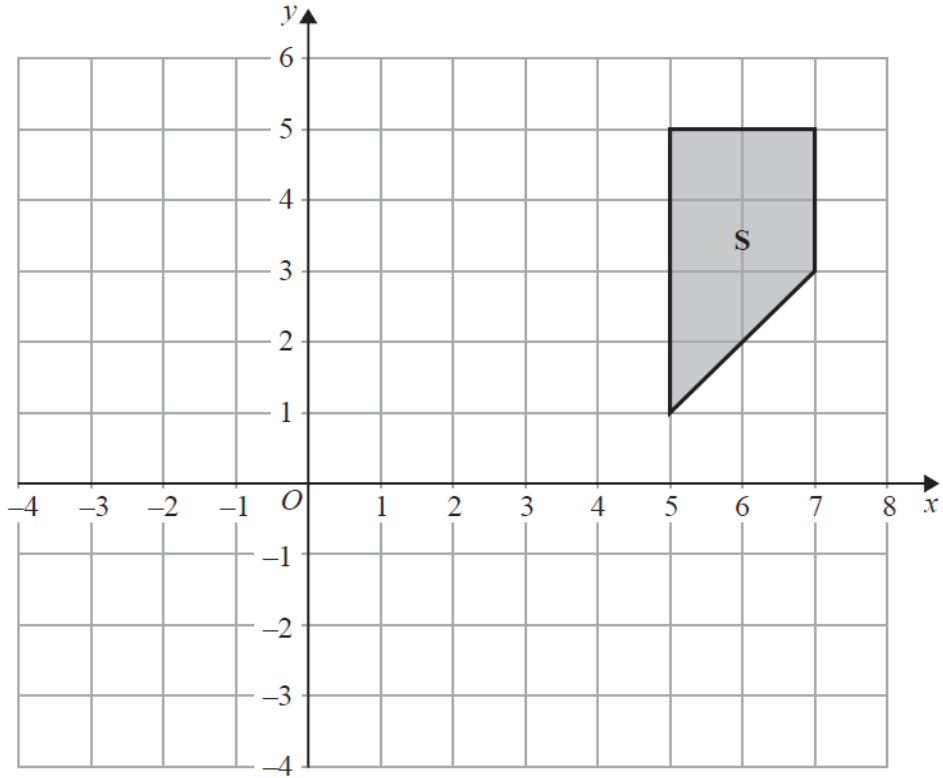
Describe fully the single transformation which maps triangle **P** onto triangle **Q**.

.....

.....

(Total 3 marks)

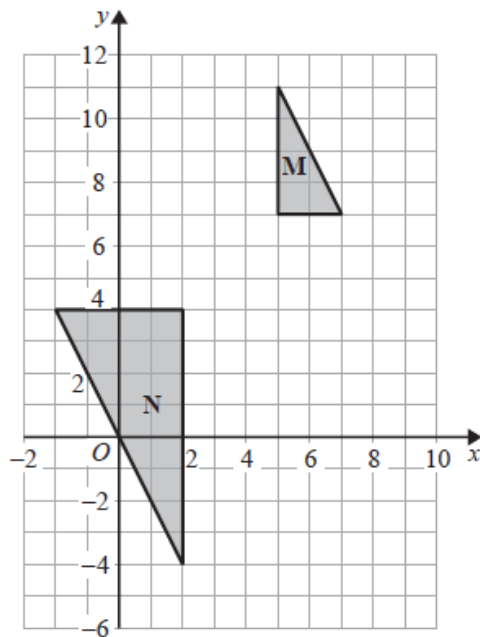
4.



Enlarge shape **S** with scale factor $\frac{1}{2}$ and centre (1, 3).

(2 marks)

5.



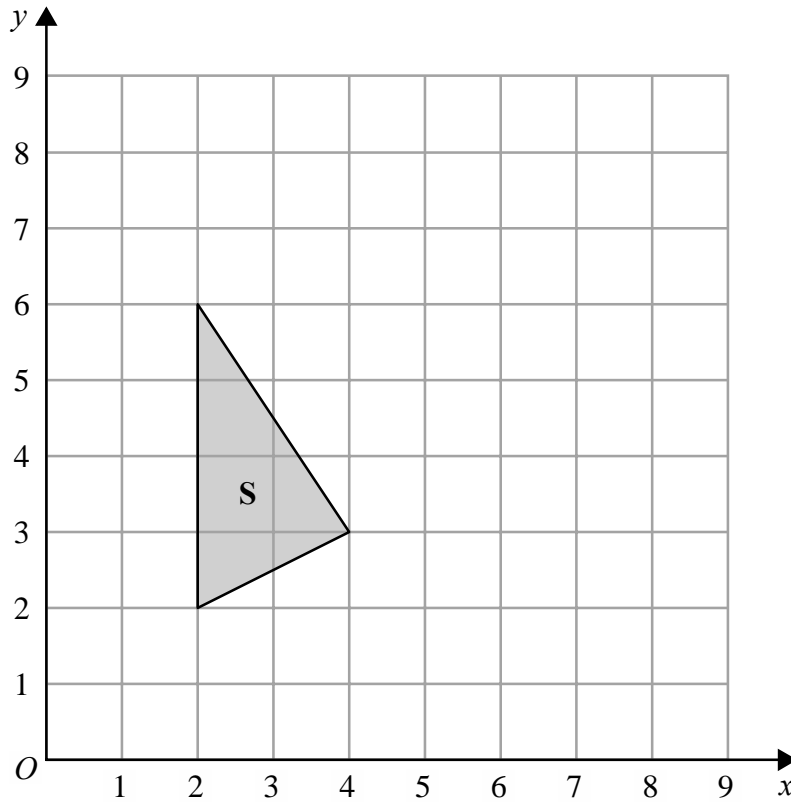
Describe fully the single transformation that maps triangle **M** onto triangle **N**.

.....

.....

(2 marks)

6.



(a) Rotate shape **S** 90° clockwise, centre (5, 4)
Label your image **T**.

(2)

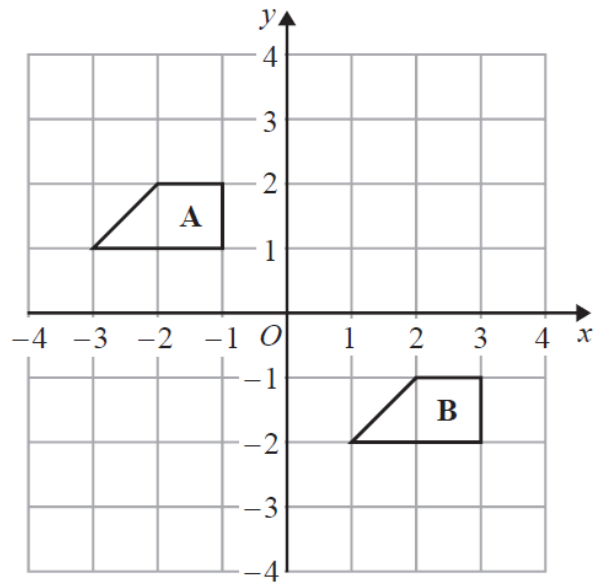
(b) Describe fully the single transformation that will map shape **T** onto shape **S**.

.....

(1)

(3 marks)

7.



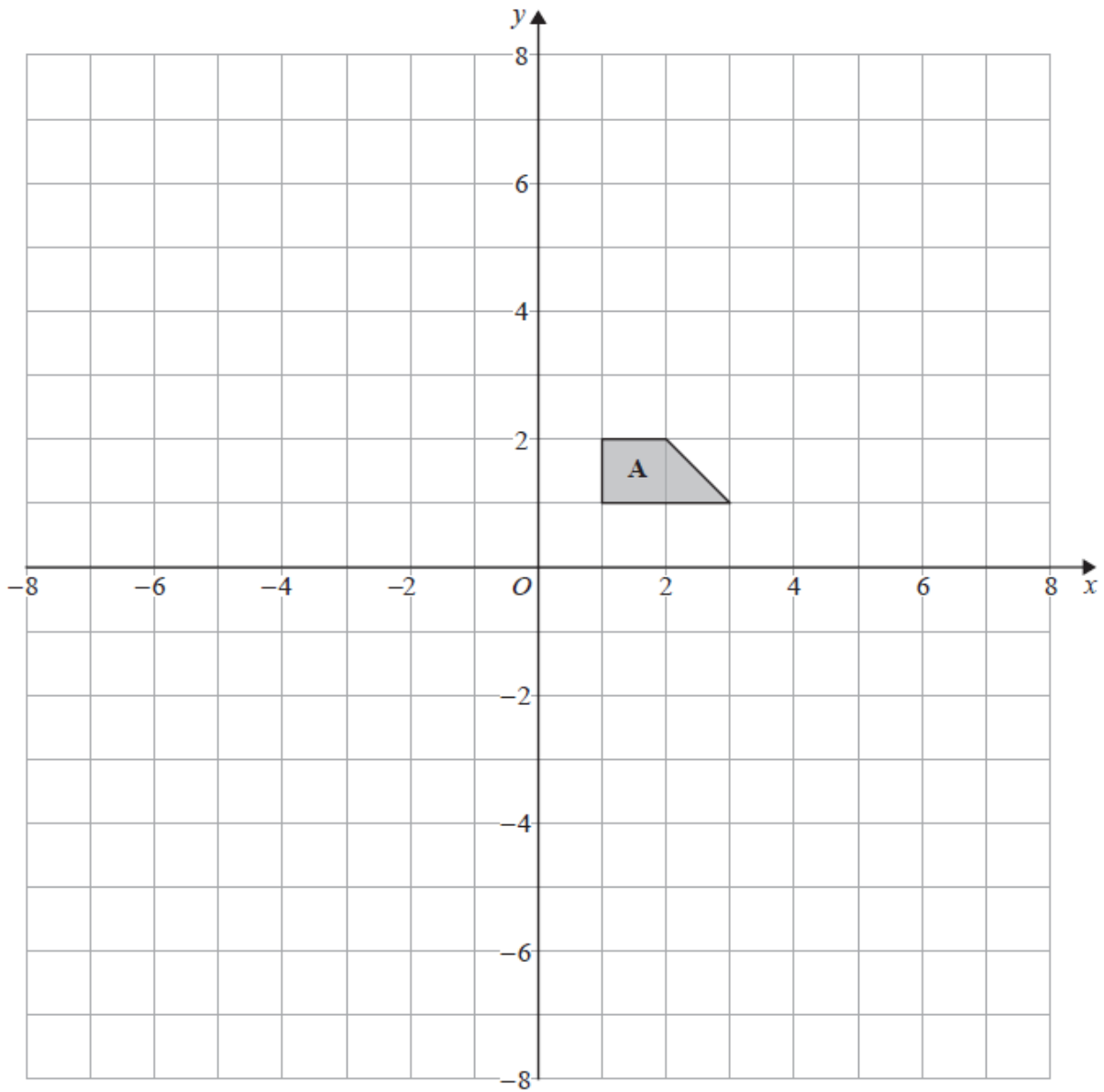
Describe the single transformation that maps shape **A** onto shape **B**.

.....

.....

(2 marks)

8.



(a) Enlarge shape **A** by scale factor -2 , centre $(0, 0)$

Label your image **B**.

(2)

(b) Describe fully the single transformation that will map shape **B** onto shape **A**.

.....

(1)

(3 marks)